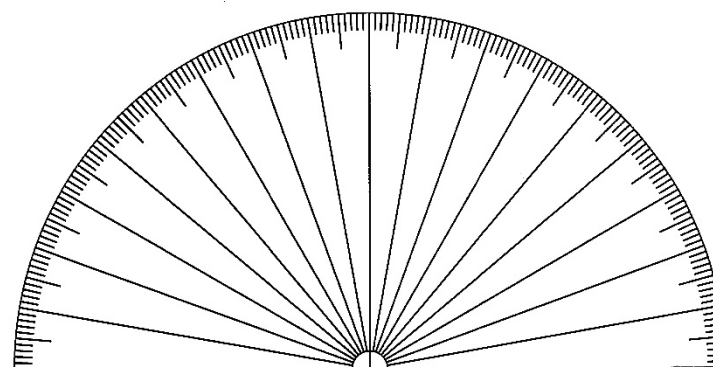
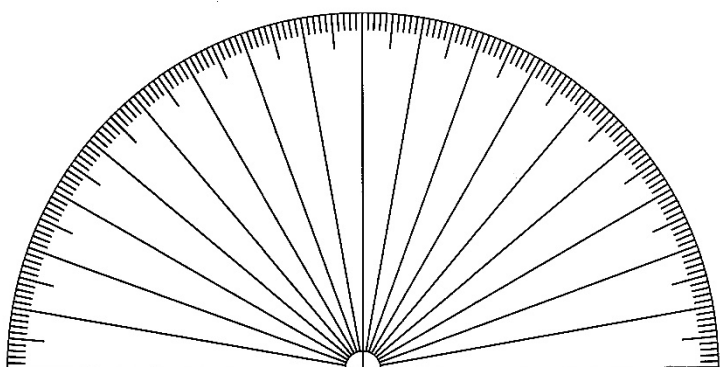
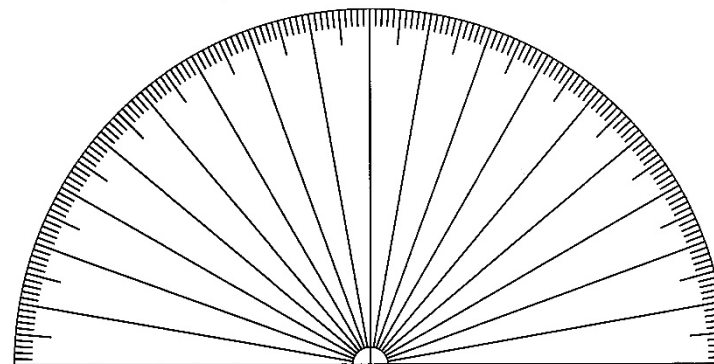
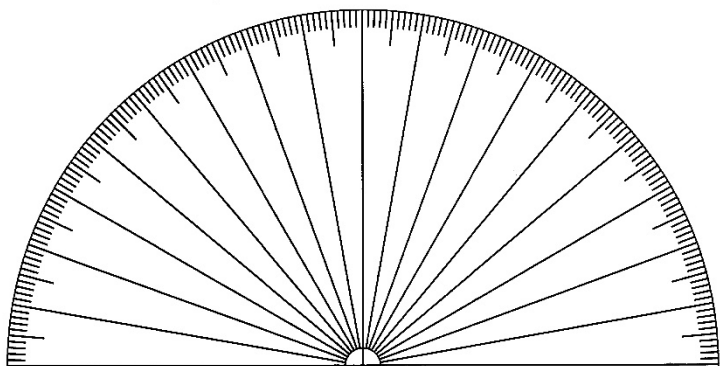




Estimating Angles



With thanks to Mark Dawes for the images
nrich.maths.org/1235
© University of Cambridge